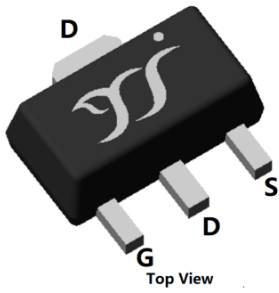
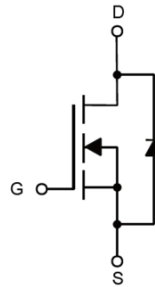
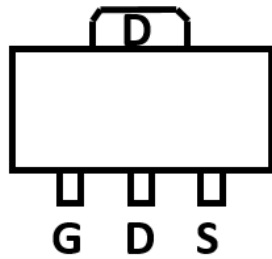


N-Channel Enhancement Mode Field Effect Transistor



SOT-89



Product Summary

- V_{DS} 60V
- I_D 3.5A
- $R_{DS(ON)}$ (at $V_{GS}= 10V$) <100mohm
- $R_{DS(ON)}$ (at $V_{GS}= 4.5V$) <120mohm
- $R_{DS(ON)}$ (at $V_{GS}= 2.5V$) <200mohm

General Description

- Trench Power LV MOSFET technology
- High Density Cell Design for Low $R_{DS(ON)}$
- High Speed switching
- Epoxy Meets UL 94 V-0 Flammability Rating
- Halogen Free

Applications

- Battery protection
- Load switch
- Power management

■ Absolute Maximum Ratings ($T_A=25^\circ\text{C}$ unless otherwise noted)

Parameter		Symbol	Limit	Unit
Drain-source Voltage		V_{DS}	60	V
Gate-source Voltage		V_{GS}	± 16	V
Drain Current	$T_A=25^\circ\text{C}$	I_D	3.5	A
	$T_A=70^\circ\text{C}$		2.8	
Pulsed Drain Current ^A		I_{DM}	14	A
Total Power Dissipation @ $T_A=25^\circ\text{C}$ Steady State		P_D	1.7	W
Thermal Resistance Junction-to-Ambient ^B		$R_{\theta JA}$	74	$^\circ\text{C}/\text{W}$
Junction and Storage Temperature Range		T_J, T_{STG}	-55~+150	$^\circ\text{C}$

■ Ordering Information (Example)

PREFERRED P/N	PACKING CODE	Marking	MINIMUM PACKAGE(pcs)	INNER BOX QUANTITY(pcs)	OUTER CARTON QUANTITY(pcs)	DELIVERY MODE
YJH03N06B	F1	6003	1000	10000	40000	7" reel
	F2	6003	1000	8000	32000	7" reel



YJH03N06B

■ Electrical Characteristics (T_J=25°C unless otherwise noted)

Parameter	Symbol	Conditions	Min	Typ	Max	Units
Static Parameter						
Drain-Source Breakdown Voltage	BV _{DSS}	V _{GS} =0V, I _D =-250μA	60			V
Zero Gate Voltage Drain Current	I _{DSS}	V _{DS} = 60V, V _{GS} =0V			1	μA
Gate-Body Leakage Current	I _{GSS}	V _{GS} =±16V, V _{DS} =0V			±100	nA
Gate Threshold Voltage	V _{GS(th)}	V _{DS} = V _{GS} , I _D = 250μA	0.65	0.95	1.55	V
Static Drain-Source On-Resistance	R _{DS(on)}	V _{GS} = 10V, I _D = 3A		86	100	mΩ
		V _{GS} = 4.5V, I _D = 2A		90	120	
		V _{GS} = 2.5V, I _D = 1A		100	200	
Diode Forward Voltage	V _{SD}	I _S = 3.0A, V _{GS} =0V		0.8	1.2	V
Dynamic Parameters						
Input Capacitance	C _{iss}	V _{DS} =30V, V _{GS} =0V, f=1MHZ		451		pF
Output Capacitance	C _{oss}			38		
Reverse Transfer Capacitance	C _{rss}			31		
Switching Parameters						
Total Gate Charge	Q _g	V _{GS} = 10V, V _{DS} = 30V, I _D = 3.0A		13.8		nC
Gate-Source Charge	Q _{gs}			2.2		
Gate-Drain Charge	Q _{gd}			1.9		
Reverse Recovery Charge	Q _{rr}	I _F = 3A, di/dt=100A/us		7.6		ns
Reverse Recovery Time	t _{rr}			30		
Turn-on Delay Time	t _{D(on)}	V _{GS} = 10V, V _{DS} = 30V, I _D = 1.5A R _{GEN} = 3Ω		3		ns
Turn-on Rise Time	t _r			18		
Turn-off Delay Time	t _{D(off)}			17		
Turn-off fall Time	t _f			22		

A. Pulse Test: Pulse Width ≤ 300us, Duty cycle ≤ 2%.

B. R_{θJA} is the sum of the junction-to-lead and lead-to-ambient thermal resistance, where the lead thermal reference is defined as the solder mounting surface of the drain pins. R_{θJL} is guaranteed by design, while R_{θJA} is determined by the board design. The maximum rating presented here is based on mounting on a 1 in 2 pad of 2oz copper.



■ Typical Performance Characteristics

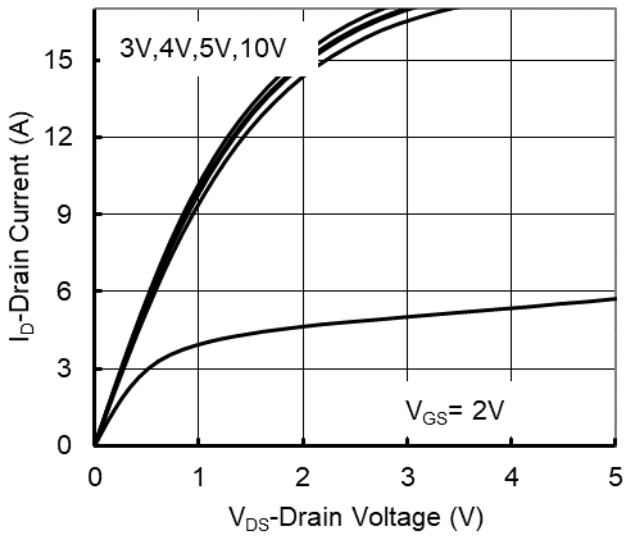


Figure1. Output Characteristics

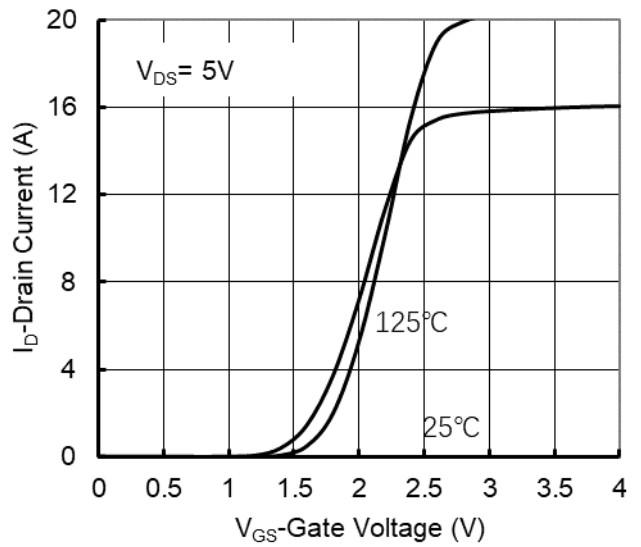


Figure2. Transfer Characteristics

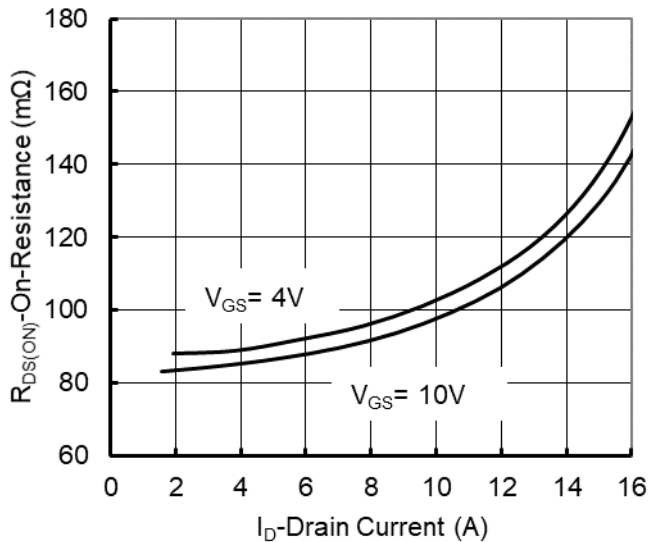


Figure 3: On-Resistance vs. Drain Current and Gate Voltage

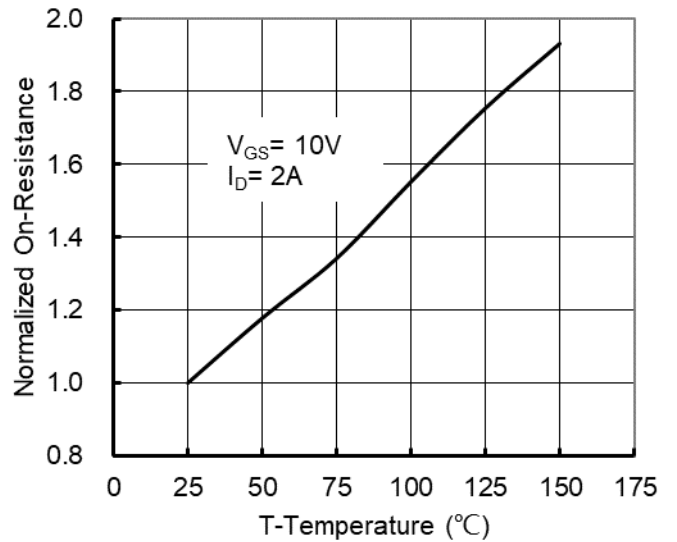


Figure 4: On-Resistance vs. Junction Temperature

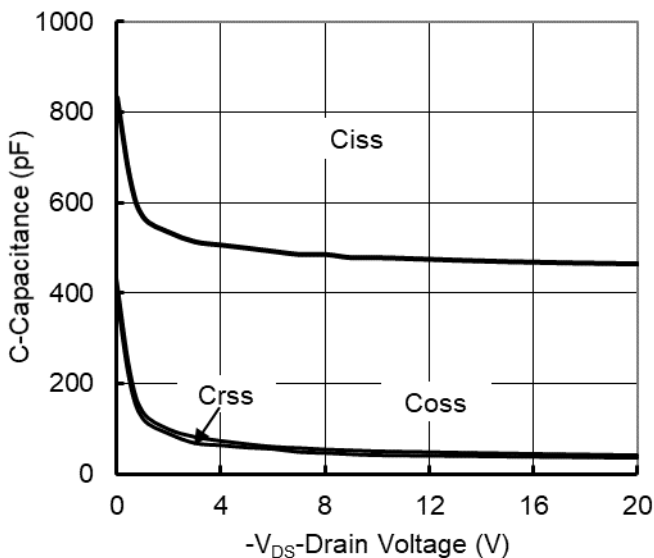


Figure5. Capacitance Characteristics

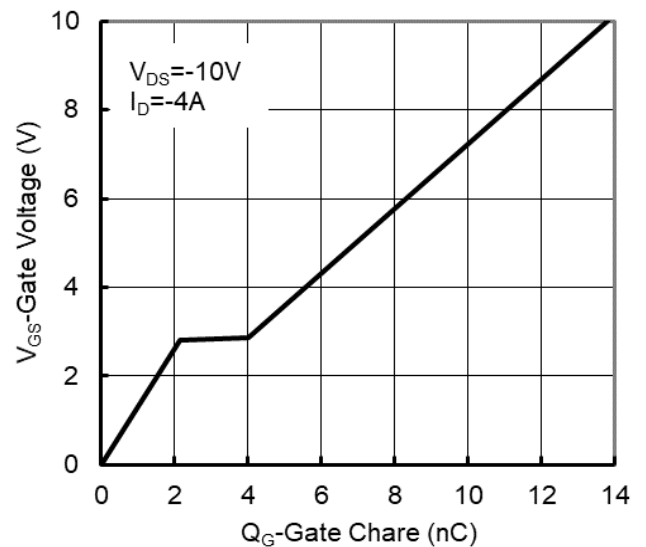


Figure6. Gate Charge



YJH03N06B

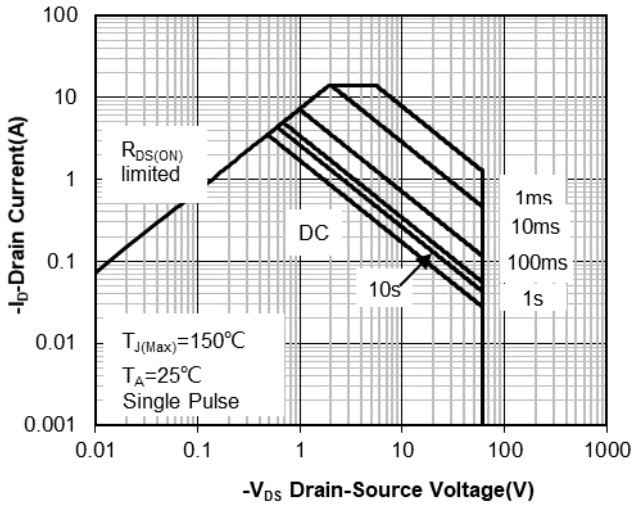


Figure7. Safe Operation Area

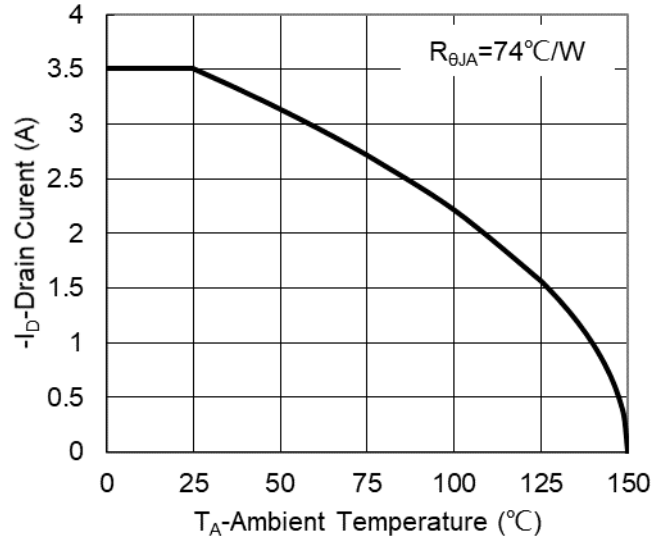


Figure8. Maximum Continuous Drain Current vs Ambient Temperature

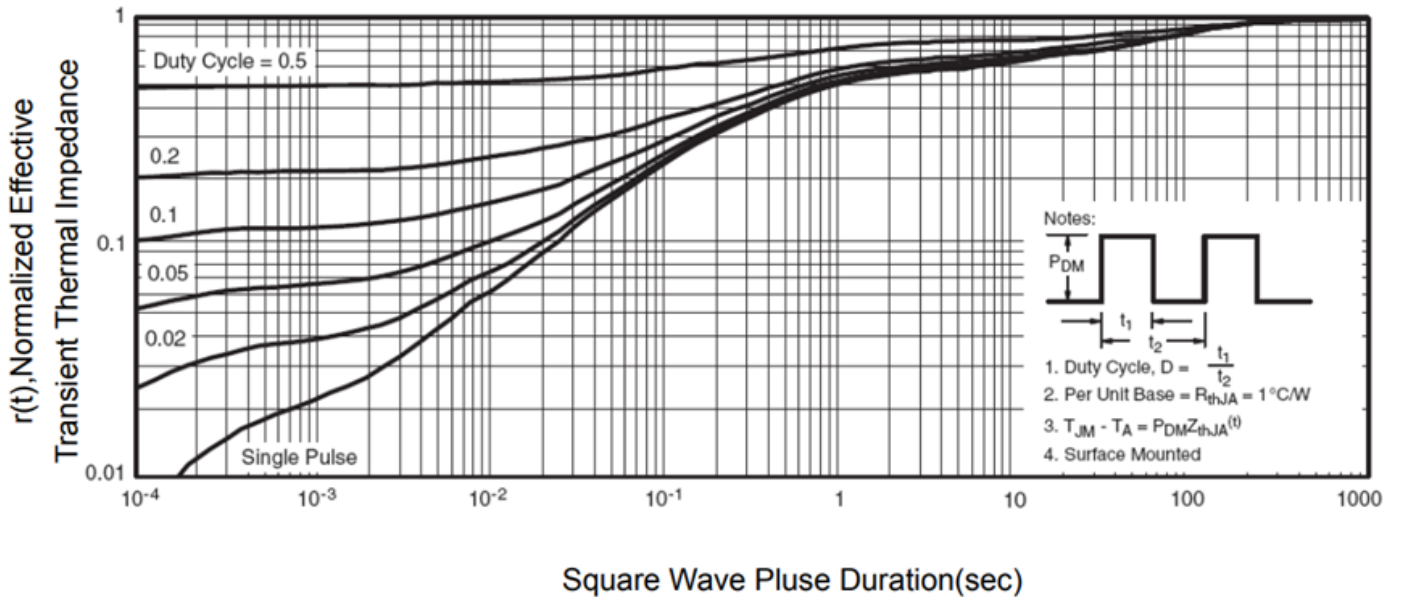
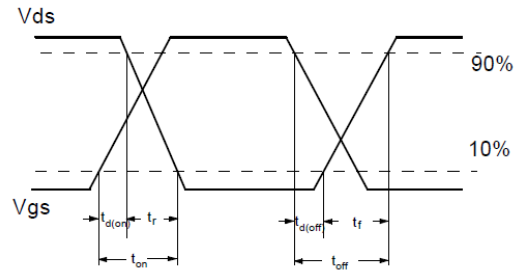
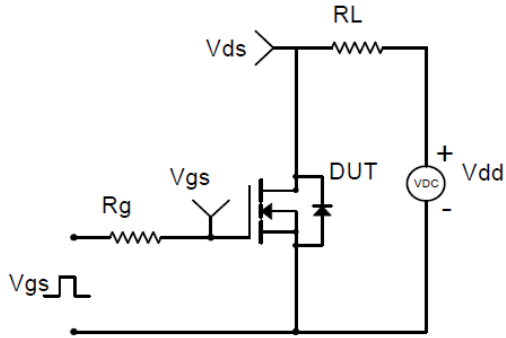
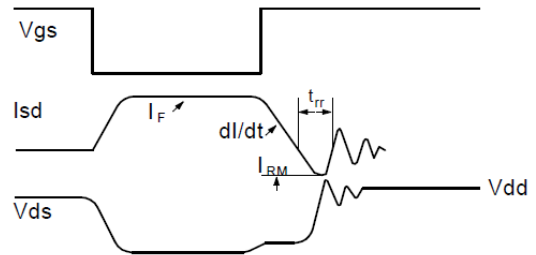
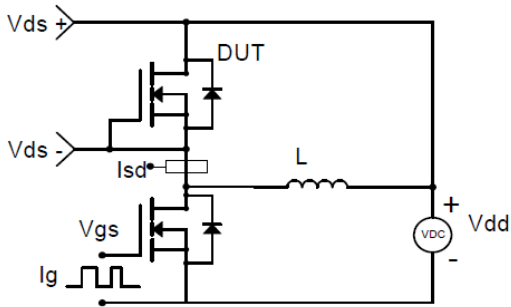


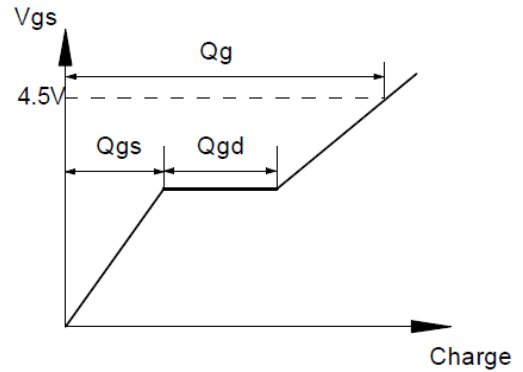
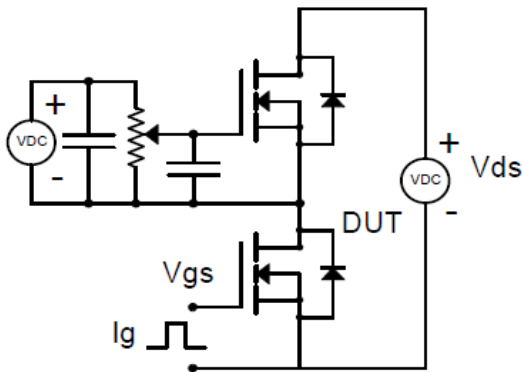
Figure9. Normalized Maximum Transient Thermal Impedance



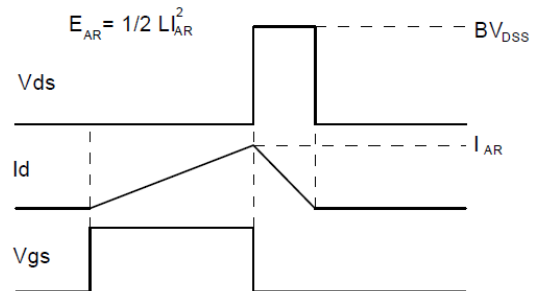
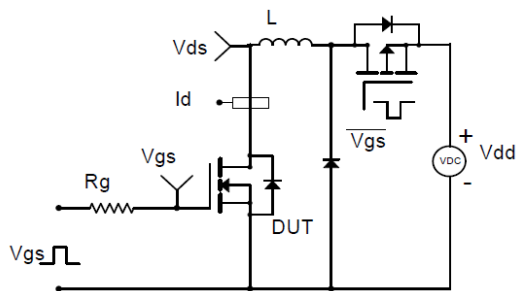
Resistive Switching Test Circuit & Waveforms



Diode Recovery Test Circuit & Waveforms



Gate Charge Test Circuit & Waveform



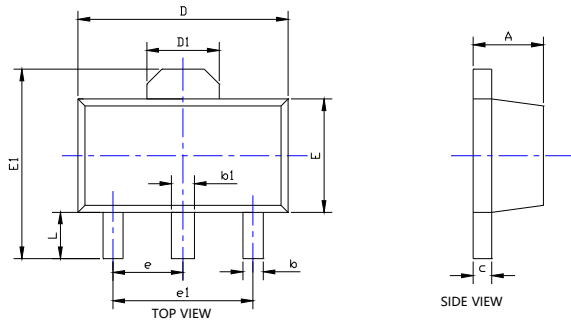
Unclamped Inductive Switching (UIS) Test Circuit & Waveforms



YJH03N06B

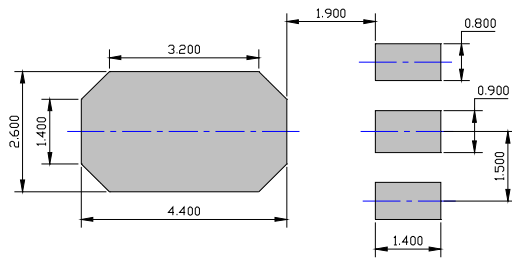
■ SOT-89 Package Information

TYPE A(PACKING CODE:F1):



SYMBOL	DIMENSIONS					
	INCHES			Millimeter		
	MIN.	NOM.	MAX.	MIN.	NOM.	MAX.
A	0.055	0.059	0.063	1.400	1.500	1.600
b	0.014	---	0.020	0.350	---	0.520
b1	0.016	---	0.023	0.400	---	0.580
c	0.014	---	0.017	0.350	---	0.440
D	0.173	0.177	0.181	4.400	4.500	4.600
D1	0.061REF			1.550REF		
E	0.093	0.096	0.100	2.350	2.450	2.550
E1	0.155	---	0.167	3.940	---	4.250
e	0.059TYP			1.500TYP		
e1	0.118TYP			3.000TYP		
L	0.035	0.039	0.043	0.900	1.000	1.100

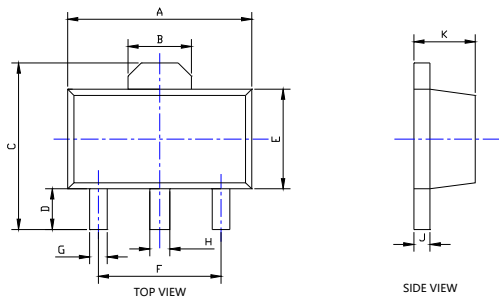
NOTE:
 1.PACKAGE BODY SIZES EXCLUDE MOLD FLASH AND GATE BURRS.
 2.TOLERANCE 0.1mm UNLESS OTHERWISE SPECIFIED.
 3.THE PAD LAYOUT IS FOR REFERENCE PURPOSES ONLY.



SUGGESTED SOLDER PAD LAYOUT

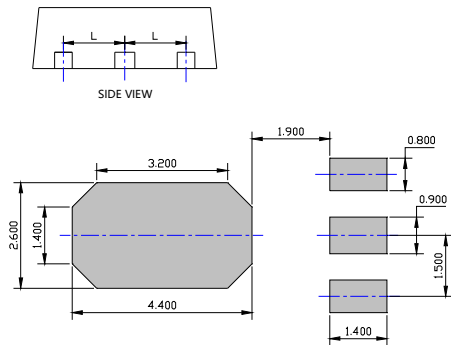
UNIT: mm

TYPE B(PACKING CODE:F2):



DIM	DIMENSIONS			
	INCHES		Millimeter	
	MIN.	MAX.	MIN.	MAX.
A	0.169	0.185	4.300	4.700
B	0.061TYP		1.550TYP	
C	0.154	0.171	3.910	4.350
D	0.031	0.047	0.800	1.200
E	0.089	0.104	2.250	2.650
F	0.118TYP		3.000TYP	
G	0.013	0.020	0.330	0.520
H	0.016	0.023	0.400	0.580
J	0.014	0.017	0.350	0.440
K	0.055	0.063	1.400	1.600
L	0.059TYP		1.500TYP	

NOTE:
 1.PACKAGE BODY SIZES EXCLUDE MOLD FLASH AND GATE BURRS.
 2.TOLERANCE 0.1mm UNLESS OTHERWISE SPECIFIED.
 3.THE PAD LAYOUT IS FOR REFERENCE PURPOSES ONLY.



SUGGESTED SOLDER PAD LAYOUT

UNIT: mm



Disclaimer

The information presented in this document is for reference only. Yangzhou Yangjie Electronic Technology Co., Ltd. reserves the right to make changes without notice for the specification of the products displayed herein to improve reliability, function or design or otherwise.

The product listed herein is designed to be used with ordinary electronic equipment or devices, and not designed to be used with equipment or devices which require high level of reliability and the malfunction of which would directly endanger human life (such as medical instruments, transportation equipment, aerospace machinery, nuclear-reactor controllers, fuel controllers and other safety devices), Yangjie or anyone on its behalf, assumes no responsibility or liability for any damages resulting from such improper use of sale.

This publication supersedes & replaces all information previously supplied. For additional information, please visit our website [http:// www.21yangjie.com](http://www.21yangjie.com) , or consult your nearest Yangjie's sales office for further assistance.